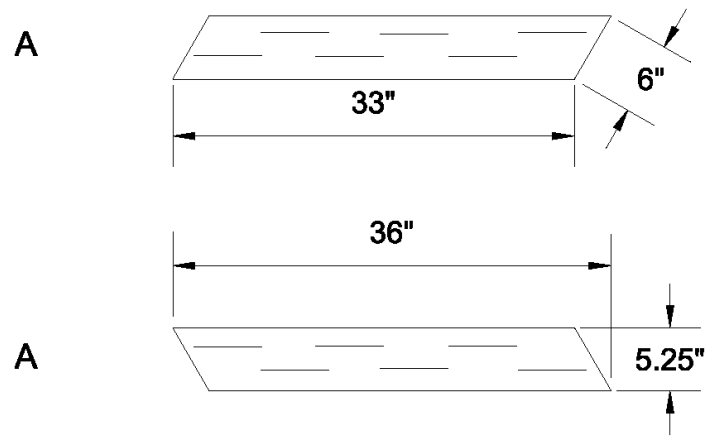
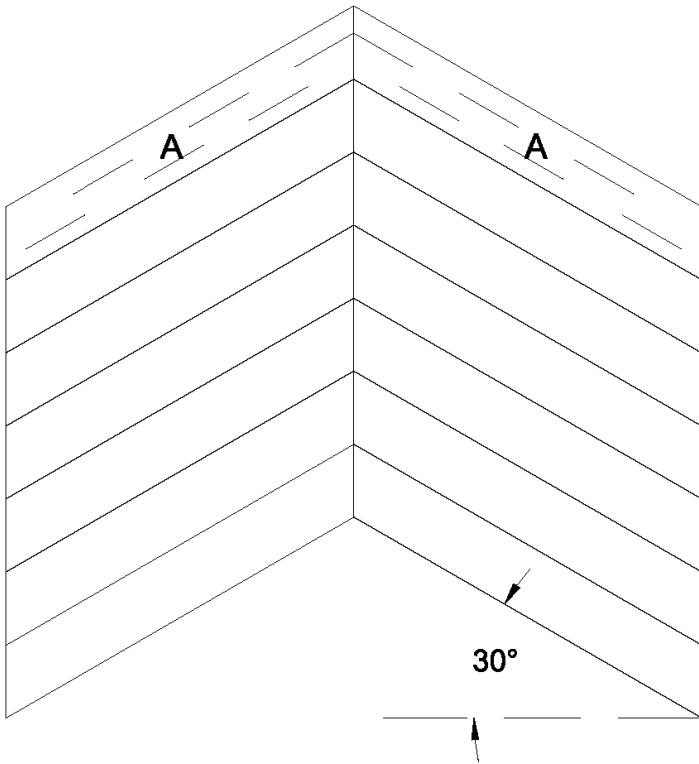


Amtico Signature Layout

Halcyon Pleat

(AR0D6400.1)



Edge Treatment

Bevelled

Unbevelled

Color Selections

A _____

Order # _____

Customer Name _____

The design specified above is a running line Amtico Signature layout. Any change to the sizing or design is considered custom. Custom layouts can be created for any project. Your local Mannington representative can request pricing for customs through the CAD department. For more information, contact your local Mannington Commercial representative or visit manningtoncommercial.com.